

mTS1000 Series

A refined and slim design with a wide range of applications

mTS1000 Tripod Turnstile

mTS1011 Tripod Turnstile

(with a controller and a RFID reader)

mTS1022 Tripod Turnstile

(with a controller and a combination of fingerprint & RFID reader)



mTS1000 Series is mainly made of SUS304 stainless steel which boosts up durability. Its compact design provides a space-saving and cost-efficient solution in multiple scenarios, such as corporate offices and theme parks. The built-in LED pictogram provides user a clear directional guidance. In case of emergency, the bi-directional tripod turnstile supports wireless remote control to execute the drop arm function efficiently for free passage.



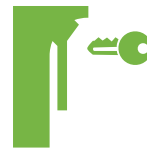
Access Control System



Drop-arm



Bi-directional



Mechanical Unlocking

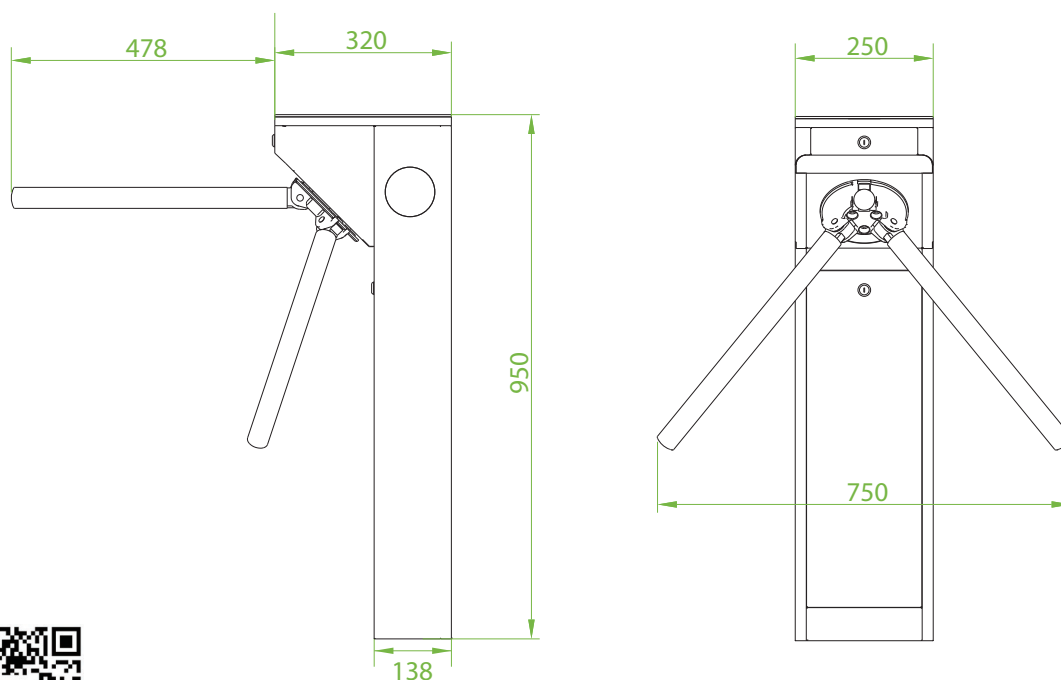
Features

- SUS304 stainless steel housing
- Bi-directional tripod turnstile with arm drop function
- LED pictogram for intuitive use
- High throughput rate
- Easy and simple installation process

Specifications

Power Requirements	AC110V/220V, 50/60Hz
Power Consumption	Running : 40W Standby : 10W
Operating Temperature	-28°C to 60°C
Operating Humidity	5%RH to 80%RH
Operating Environment	Indoor/Outdoor (if sheltered)
Speed of Throughput	RFID : Maximum 25/minute Fingerprint : Maximum 20/minute
Lane Width	478(mm)
Arm Length	478(mm)
Footprint	250*138(mm*mm)
Dimension(L*W*H)	798*750*950(mm)
Package Dimension(L*W*H)	380*450*1150(mm)
Net Weight	35kg
Gross Weight with Package	40kg
LED Pictogram Indication	Yes
Control System	Input controlled by dry contact
Cabinet Material	SUS304(optional SUS316)
Lid Material	Acrylic
Barrier Material	SUS304
Barrier Movement	Rotated
Emergency Mode	Support(power off drop arm)
Security Level	Medium
MCBF	2 million
Options/Accessories	Cardbox, Remote control, QR reader
Certification(s)	CE and FCC

Dimensions (mm)



V80 12/21/2021