

FaceKiosk-H13C

Android Multipurpose
Facial Recognition Kiosk

FaceKiosk-H13C[TD]

Android Multipurpose Facial
Recognition Kiosk with Temperature
& Mask Detection Module

Compatible with
 ZKBioSecurity

Overview

FaceKiosk-H13C, our 13.3-inch touch screen multipurpose facial recognition Android Smart Kiosk, is designed to provide friendly and interactive user experience by incorporating fingerprint, label printing, QR code, and RFID module in it.

FaceKiosk-H13C offers multiple verification module to verify users' identity through facial recognition, fingerprint, smart card or hybrid verifications.

In addition to collecting and verifying the identity information, it also supports small label printing, two dimensional code scanning, and yet can be used as queuing machines as well as self-service machines.

Moreover, the hardware interface and diversified functions can meet various needs of different users in different scenarios.

ZKTeco EDK (Facial Recognition, Age, and Gender Assessment) based on the Android platform is combined with a touch screen for facilitating the rapid deployment of third-party apps, providing customers with high quality and stable hardware development environment.

Facekiosk-H13C is empowered by ZKTeco technology, it is compatible with ZKBioSecurity.

Facekiosk-H13C is an ideal solutions for visitor self-service counter, conference display or e-learning classes.

Features

- Supports various RFID format, ID card (standard), IC card (optional)
- Support Temperature Detection Module (Optional)
- Built with smart-phone grade touch panel, offers smooth and high-responsive operation experience
- Equipped with one of the industry-leading facial recognition technology bringing its anti-spoofing performance to a new height
- The combination of barcode and printer meet different customer needs
- Offers multiple integration options through LCDP SDK and API

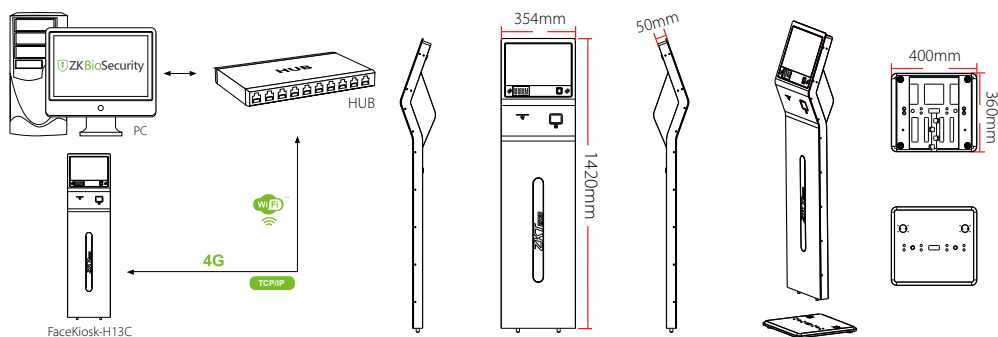
Specifications

User Capacity	500	Facial Recognition Algorithm	ZKFace 5.6 FAR≤1% FRR≤1%
Visitor Capacity	9,500		
Face Template Capacity	10,000	Facial Recognition Speed	<1s
Transaction	100,000		
Communication	TCP/IP, Wi-Fi, Bluetooth, 3G/4G	Facial Recognition Distance	0.5m to 2m
Screen	13.3-inch capacitive touch screen, 1920*1080 pixels	Card Type	ID card, IC Card(optional)
CPU	ZKTECO Customized Computer Vision eight-core processor	QR Code Module	Dynamic Check-in or Check-out QR codes on the ZKBioSecurity QR code, PDF417, Data Matrix, MicroPDF417, Aztec scanning in third-party development projects
3G/4G	LTE FDD: B1/B2/B3/B4/B5/B7/B8/B20/B28 LTE TDD: B38/B39/B40/B41 WCDMA: B1/B2/B4/B5/B8 GSM: 850/900/1800/1900MHz		
		Label Printer	Line Thermal Printer Printing speed: 100mm/s (max.) Paper width: 80±0.5mm
Bluetooth	BT2.1+EDR/3.0/4.1 LE/4.2 BLE	Operating Humidity	20% to 90%RH
WLAN	2.4GHz, 802.11 b/g/n	Storage Temperature	-40 to 60°C (-40 to 140°F)
Camera Pixel	2-megapixel	Storage Humidity	20% to 90%RH
ROM	16GB eMMC	Dimensions (L*W*H)	1420*354*50mm (55.91*13.94*1.97In)
RAM	2GB LPDDR3		
Communication Ports	1*RJ45, TF card slot, RS232/485	Net Weight	43kg
		Weight with packaging	48kg
Operating System	Android 9.0		

Body Temperature Detection Specifications (FaceKiosk-H13C[TD] only)

Preventative Measures	Mask detection / Body temperature detection
Temperature Measurement Distance	30 to 50cm (1to1.64ft)
Temperature Measurement Accuracy	±0.3°C (±0.56°F)
Temperature Measurement Range	34 to 45°C (93.2 to 113°F)

Dimensions



V5.2 06/09/2022