

# AL10B/AL10DB

## RFID

Lever Lock With Touch Screen and Bluetooth



### Lock Out Mode

All normal users (other than admin) will be locked out



### Voice Guide Programming

Easy to program, support Portuguese, Spanish, English



### Volume Adjustment

include high volume, low volume and silent mode



### BLE 4.0

Unlock your door using dedicated mobile App on your smart phone



### Random Password

Anti-peep design, enhanced code security



### Alarm Mode

Low battery warning & illegal operation warning



### 30mm Thinness

Support super thinness of 30 mm.



### Reversible Handle Design

To fit for all door open direction



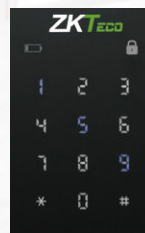
### Back Up Power

Emergency battery port of 9V



### Lock Out Mode

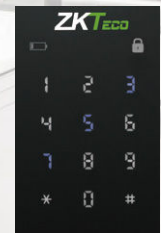
Admin can lock all other user's permissions when switch on this mode



Random Digit



Correct Password



Random Digit

### Random Password

Remains the correct code continuous, add code front or behind randomly, the maximum is 32 digit. e.g. XXX123456XXX

## Specifications

Material	Zinc Alloy	
Mortise Type	American mortise (AL10B)	German mortise (AL10DB)
Door Thickness	30-54 mm (standard)	
User Capacity	100	
Password capacity	100	
Card capacity	100	
Wireless Module	BLE4.0	
Power Supply	4×AA Alkaline battery (NOT supplied)	
Dimensions	Front - 73(W)×179(L)×37(D)mm Back - 73(W)×179(L)×27(D)mm	

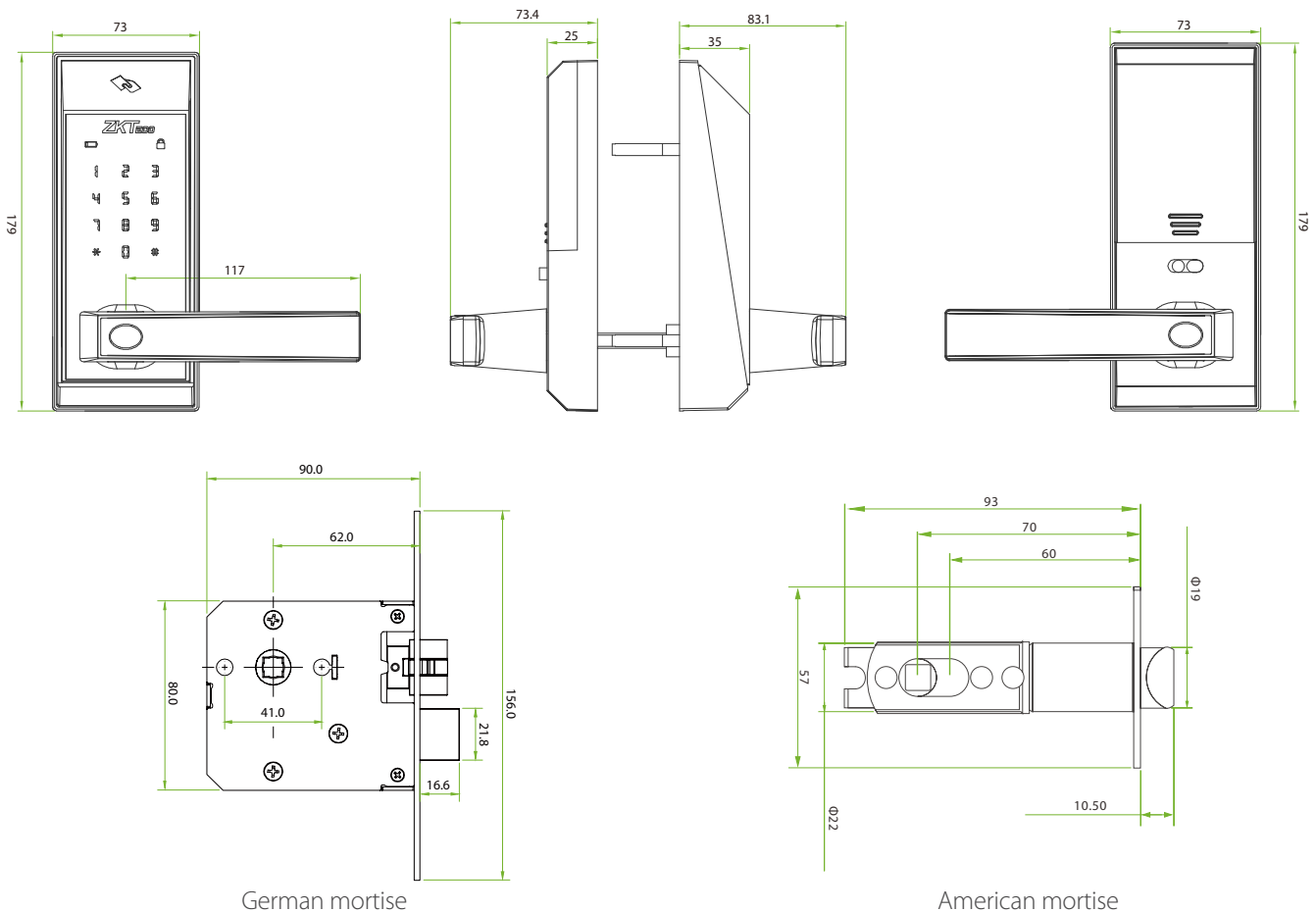


ZKBioBL APP Download  
For Android Platform



ZKBioBL APP Download  
For IOS Platform

## Dimensions



More details

ZKTECO CO.,LTD.  
www.zkteco.com  
E-mail: sales@zkteco.com

© Copyright 2018, ZKTECO CO., LTD. ZKTECO Logo is a registered trademark of ZKTECO or a related company. All other product and company names mentioned are used for identification purposes only and may be the trademarks of their respective owners. All specifications are subject to change without notice. All rights reserved.

