

Installation Guide

4.3-inch Series Product

Version: 1.0

Installation Environment

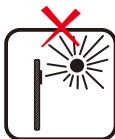
Please refer to the following recommendations for installation:



INSTALL INDOORS
ONLY



AVOID INSTALLATION
NEAR
GLASS WINDOWS



AVOID DIRECT
SUNLIGHT
AND EXPOSURE

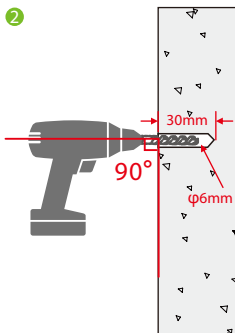
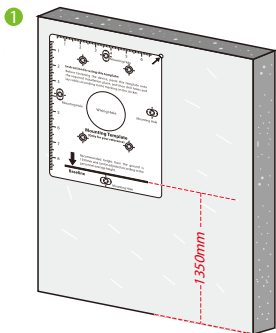


AVOID USE OF ANY
HEAT SOURCE
NEAR THE DEVICE

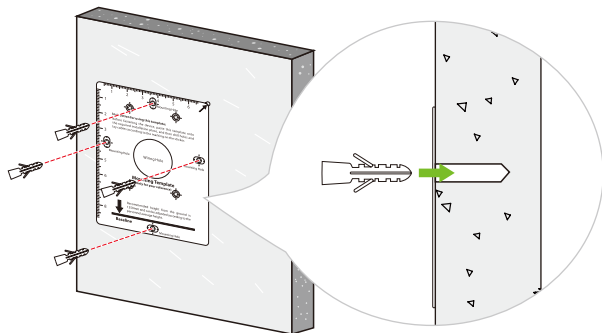
- Avoid direct contact to sunlight for a long time.
- Protect the device from moisture, water, and rain.
- Handle the device with care.
- Ensure that the device is not installed near the sea or in other locations where metal oxidation and rust may develop if the device is exposed for an extended period.
- Protect the device from lightning.
- Ensure that the device only works in an acidic or alkaline environment briefly.

How to Install the Device on the wall?

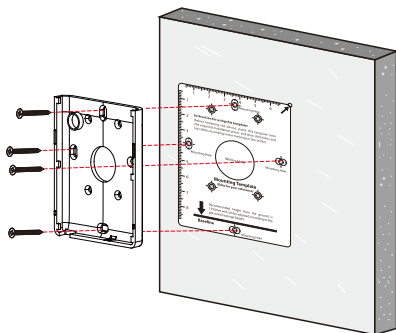
Step 1: Stick the wall-mounting template to the wall and drill holes according to the wall-mounting template.



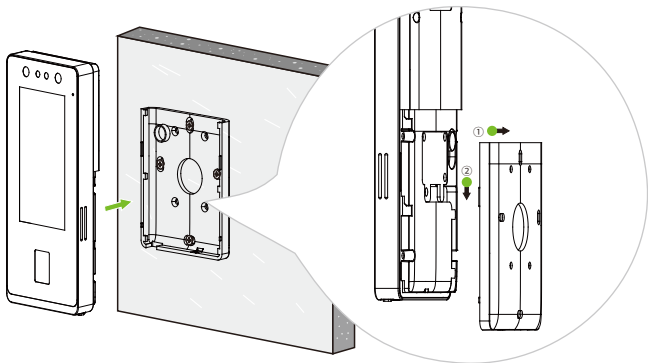
Step 2: Insert the expansion tubes into the mounting holes.



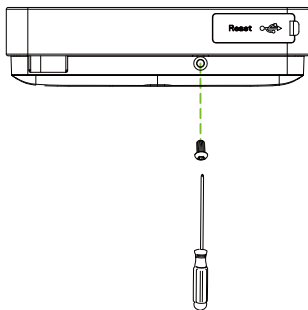
Step 3: Attach the backplate on the wall using the wall mounting screws.
Note: Please insert the wire through the backplate before installation.



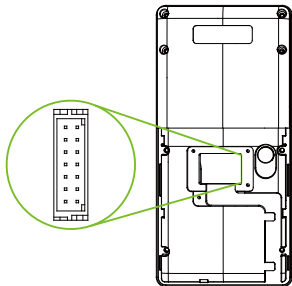
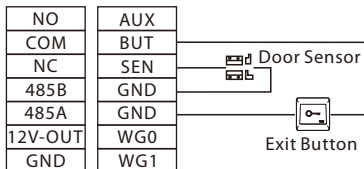
Step 4: Attach the terminal to the backplate



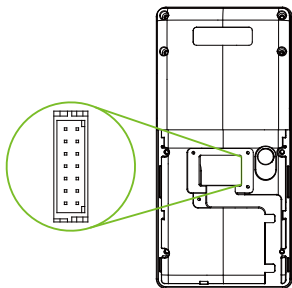
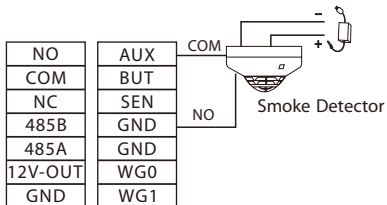
Step 5: Attach the terminal to the backplate with a security screw



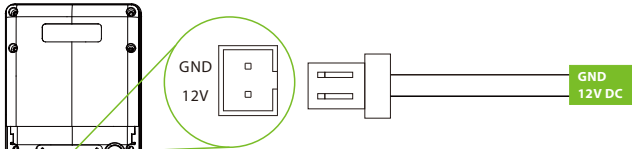
Exit Button and Door Sensor Connection



Smoke Detection Connection



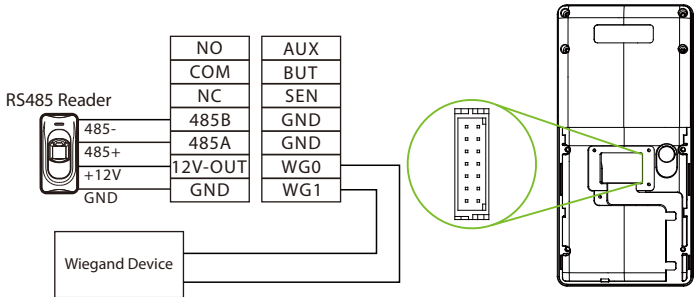
Power Connection



Recommended Power Supply:

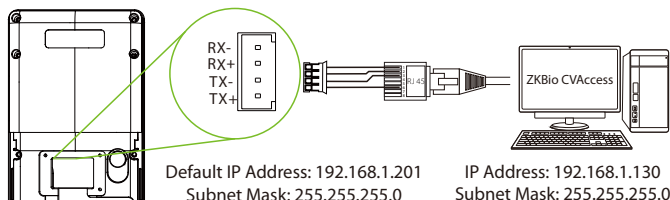
- 12V \pm 10%, at least 3000mA.
- To share power with other devices, use a power supply with higher current ratings.

RS485 and Wiegand Connection



Note: The Wiegand interface is shared, and the user can choose to use either the Wiegand input or Wiegand output function to interface with different Wiegand devices.

Ethernet Connection



Click **COMM.** > **Ethernet** > **IP Address** on the SenseFace 4 Series device, to input the IP address and then click **OK**.

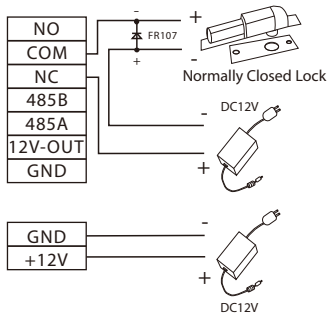
Note: In LAN, the IP address of the server (PC) and the device must be in the same network segment when connecting to the software.

Lock Relay Connection

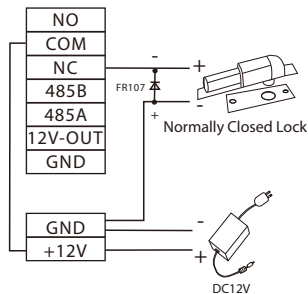
The system supports Normally Opened Lock and Normally Closed Lock.

The NO LOCK (Normally opened at Power On) is connected with "NO1" and "COM" terminals, and the NC LOCK (Normally closed at Power On) is connected with "NC1" and "COM" terminals. Take NC Lock as an example below:

Device not sharing power with the lock:



Device sharing power with the lock:



Download Center

Scan the QR Code to download the **User Manual, Installation Guide** and **Quick Start Guide**.



QR Code (Download Center)

