

Installation Guide

7-inch Series Product

Version: 1.0

1. About the Device Installation

Please refer to the following recommendations for installation.

Installation Environment



INSTALL INDOORS
ONLY



AVOID INSTALLATION
NEAR
GLASS WINDOWS



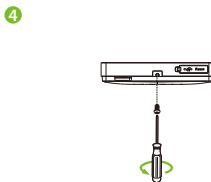
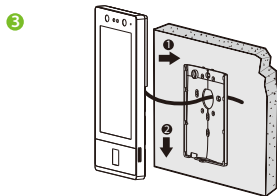
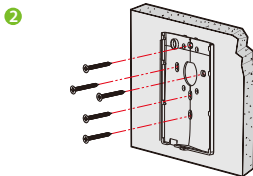
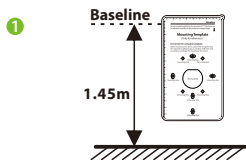
AVOID DIRECT
SUNLIGHT
AND EXPOSURE



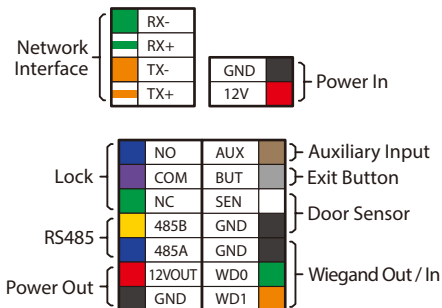
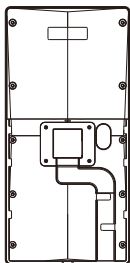
AVOID USE OF ANY
HEAT SOURCE
NEAR THE DEVICE

Install on the wall

- 1 Attach the mounting template sticker to the wall, and drill holes according to the mounting paper.
- 2 Fix the backplate on the wall with the wall mounting screws.
- 3 After passing the wires through the wiring hole and connecting them to the device, and then snap the device onto the backplate and push it down into place.
- 4 Fasten the device to the backplate with a security screw.

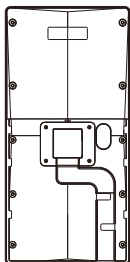


2. Terminal Block



3. Ethernet Connection

Establish the connection between the device and the software using an Ethernet cable. An illustrative example is provided below:



Default IP address: 192.168.1.201
Subnet mask: 255.255.255.0

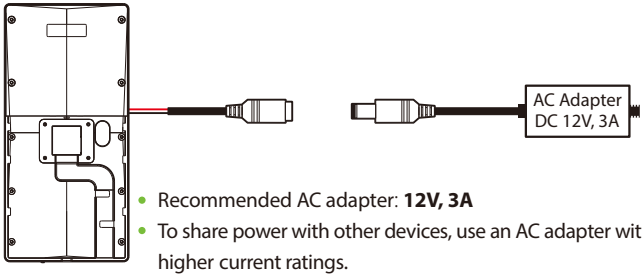


IP address: 192.168.1.130
Subnet mask: 255.255.255.0

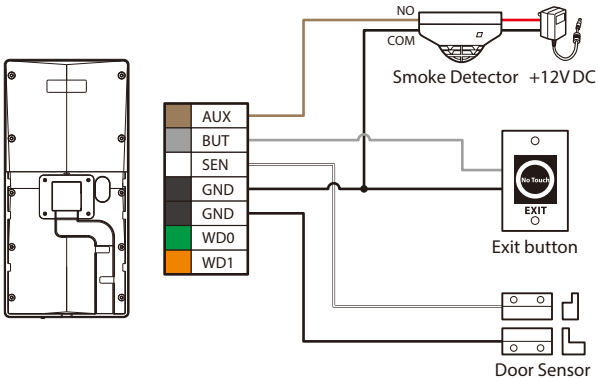
Tap on to enter the main menu. And then click on **[Comm.] > [Ethernet] > [IP Address]** to input the IP address.

Note: In LAN, IP addresses of the server (PC) and the device must be in the same network segment when connecting to the software.

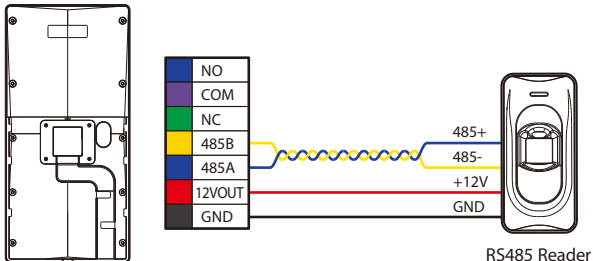
4. Power Connection



5. Exit Button, Door Sensor & Auxiliary Connection



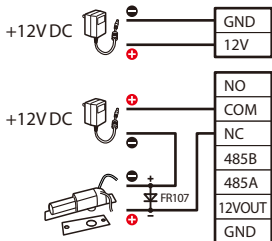
6. RS485 Connection



7. Lock Relay Connection

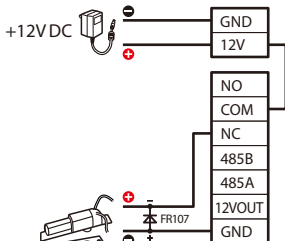
The system supports both **Normally Opened Lock** and **Normally Closed Lock**. The **NO LOCK** (normally opened at power on) is connected with 'NO' and 'COM' terminals, and the **NC LOCK** (normally closed at power on) is connected with 'NC' and 'COM' terminals. Take NC Lock as an example below:

1) Device not sharing power with the lock



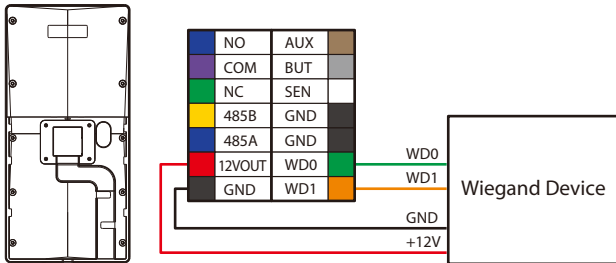
Normally Closed Lock

2) Device sharing power with the lock



Normally Closed Lock

8. Wiegand Reader Connection



Note: The Wiegand interface is shared, and the user can choose to use either the Wiegand input or Wiegand output function to interface with different Wiegand devices.

9. Download Center

Scan the QR Code to download the **User Manual**, **Installation Guide** and **Quick Start Guide**.



