

# Installation Guide

---

## 2.8-inch Series Product

Version: 1.0

# 1. About the Device Installation

Please refer to the following recommendations for installation.

## Installation Environment



INSTALL INDOORS  
ONLY



AVOID INSTALLATION  
NEAR  
GLASS WINDOWS



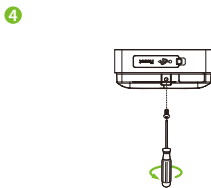
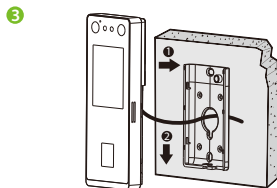
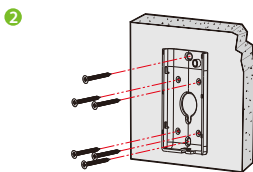
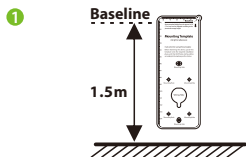
AVOID DIRECT  
SUNLIGHT  
AND EXPOSURE



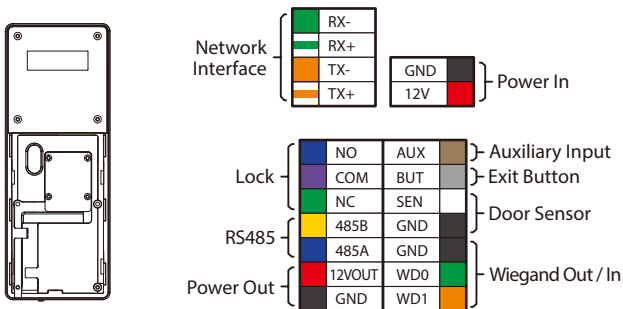
AVOID USE OF ANY  
HEAT SOURCE  
NEAR THE DEVICE

## Install on the wall

- ① Attach the mounting template sticker to the wall, and drill holes according to the mounting paper.
- ② Fix the backplate on the wall with the wall mounting screws.
- ③ After passing the wires through the wiring hole and connecting them to the device, and then snap the device onto the backplate and push it down into place.
- ④ Fasten the device to the backplate with a security screw.

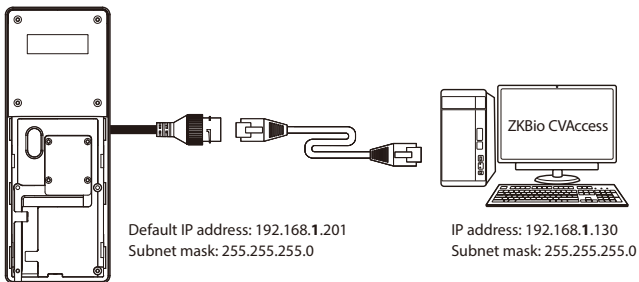



## 2. Terminal Block



## 3. Ethernet Connection

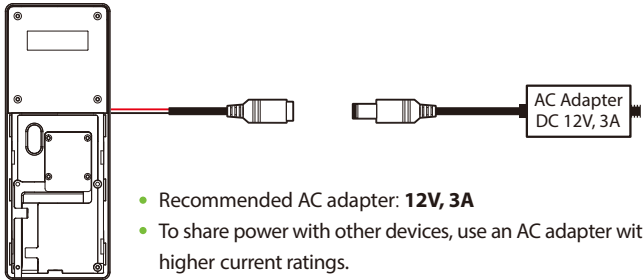
Establish the connection between the device and the software using an Ethernet cable. An illustrative example is provided below:



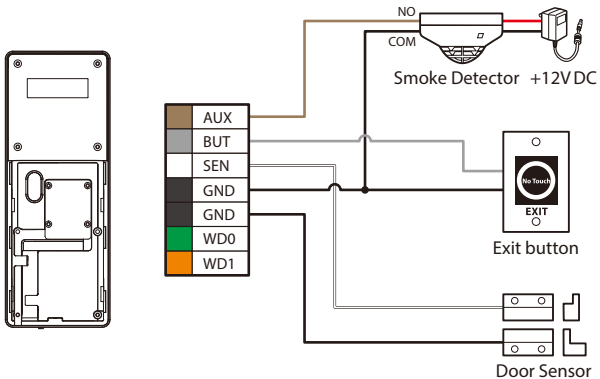
Tap on  to enter the main menu. And then click on **[Comm.] > [Ethernet] > [IP Address]** to input the IP address.

**Note:** In LAN, IP addresses of the server (PC) and the device must be in the same network segment when connecting to the software.

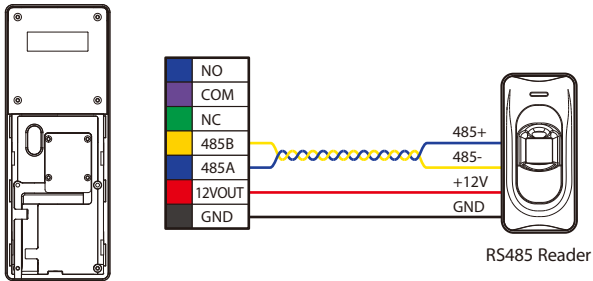
## 4. Power Connection



## 5. Exit Button, Door Sensor & Auxiliary Connection



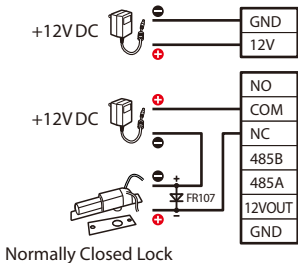
## 6. RS485 Connection



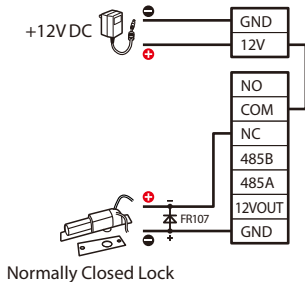
## 7. Lock Relay Connection

The system supports both **Normally Opened Lock** and **Normally Closed Lock**. The **NO LOCK** (normally opened at power on) is connected with 'NO' and 'COM' terminals, and the **NC LOCK** (normally closed at power on) is connected with 'NC' and 'COM' terminals. Take NC Lock as an example below:

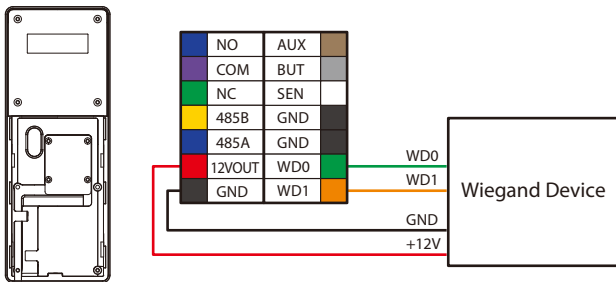
1) Device not sharing power with the lock



2) Device sharing power with the lock



## 8. Wiegand Reader Connection



**Note:** The Wiegand interface is shared, and the user can choose to use either the Wiegand input or Wiegand output function to interface with different Wiegand devices.

## 9. Download Center

Scan the QR Code to download the **User Manual**, **Installation Guide** and **Quick Start Guide**.



